

**MOOER**

**REECHO**  
Digital Delay Pedal

## Owner's Manual

### Precautions

**PLEASE READ CAREFULLY BEFORE PROCEEDING**

#### Power Supply

Please connect the designated AC adapter to an AC outlet of the correct voltage. Please be sure to use only an AC adapter which supplies 9V (+/-10%) DC, center minus. The maximum working voltage shall not exceed 12V, otherwise may be dangerous equipment damage, fire or other problems. Unplug the AC power adapter when not using or during electrical storms.

#### Connections

Always turn off the power of this and all other equipment before connecting or disconnecting, this will help prevent malfunction and / or damage to other devices. Also make sure to disconnect all connection cables and the power cord before moving this unit.

#### Handling

Do not apply excessive force to the switches or controls. Do not let paper, metallic, or other objects into this unit. Take care not to drop the unit, and do not subject it to shock or excessive pressure.

#### Cleaning

Clean only with a soft, dry cloth. If necessary, slightly moisten the cloth. Do not use abrasive cleanser, cleaning alcohol, paint thinners, wax, solvents, cleaning fluids, or chemical-impregnated wiping cloths.

#### Interference with other electrical devices

Radios and televisions placed nearby may experience reception interference. Operate this unit at a suitable distance from radios and televisions.

#### Location

To avoid deformation, discoloration, or other serious damage, do not expose this unit to the following conditions:

- Direct sunlight
- Heat sources
- Magnetic fields
- Extreme temperature or humidity
- Excessive dusty or dirty location
- High humidity or moisture
- Strong vibrations or shocks

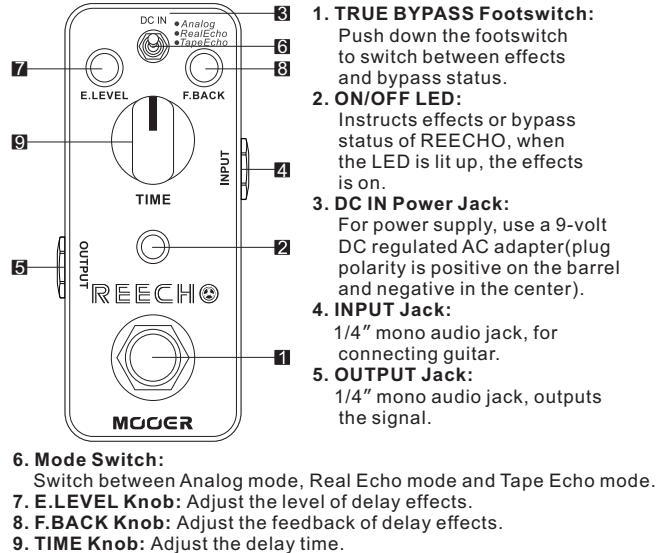
### Main Features

- 3 Delay Modes: Analog/Real Echo/Tape Echo
- Full metal shell
- Very small and exquisite
- True bypass
- DC 9V Adapter power supply

### Effects Explanation

- Analog:** Simulates a warm and smooth echo sound created by classic analog delay equipment.
- Real Echo:** Simulates a natural echo sound in real environment.
- Tape Echo:** Simulates the sweet and spacy echo sound from a vintage tape echo machine.

### Panel Instruction



#### 1. TRUE BYPASS Footswitch:

Push down the footswitch to switch between effects and bypass status.

#### 2. ON/OFF LED:

Instructs effects or bypass status of REECHO, when the LED is lit up, the effects is on.

#### 3. DC IN Power Jack:

For power supply, use a 9-volt DC regulated AC adapter (plug polarity is positive on the barrel and negative in the center).

#### 4. INPUT Jack:

1/4" mono audio jack, for connecting guitar.

#### 5. OUTPUT Jack:

1/4" mono audio jack, outputs the signal.

#### 6. Mode Switch:

Switch between Analog mode, Real Echo mode and Tape Echo mode.

#### 7. E.LEVEL Knob:

Adjust the level of delay effects.

#### 8. F.BACK Knob:

Adjust the feedback of delay effects.

#### 9. TIME Knob:

Adjust the delay time.

### Specification

**Delay Modes:** 3 (Analog, Real Echo, Tape Echo)

**Delay Time:** 5ms-780ms

**Input:** 1/4" monaural jack (impedance: 470k Ohms)

**Output:** 1/4" monaural jack (impedance: 100 Ohms)

**Power Requirements:** AC adapter 9V DC (center minus plug)

**Current Draw:** 128 mA

**Dimensions:** 93.5mm (D) × 42mm (W) × 52mm (H)

**Weight:** 160g

**Accessories:** Owner's Manual

*\* Disclaimer: Any specification's update won't be amended in this manual.*